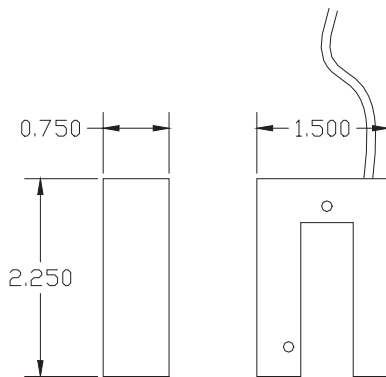


**LATCHGUARD
OVERHEAD DOOR PROTECTION
1900-98**

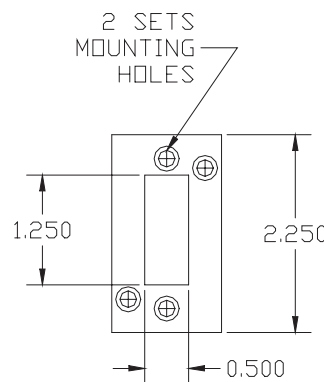


FEATURES:

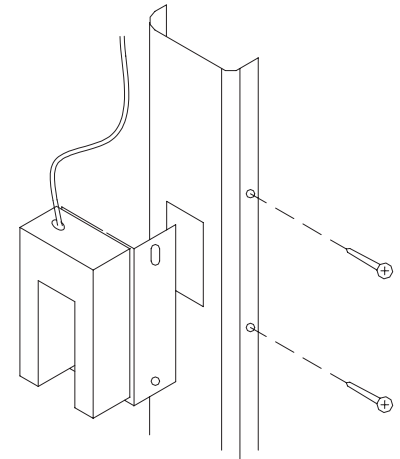
- * Easy to Install - Bracket and Screws Provided
- * Bracket can be positioned in Any Location
- * Works with all Sizes of Ferrous Latches
- * 10 ft. Jacketed Cable
- * Epoxy Sealed for maximum resistance to harsh environment
- * E.O.L. Resistors and Diodes Available
- * Fire Retardant High Impact Resistant Case
- * Lifetime Warranty
- * Safety Approvals



LATCHGUARD



BRACKET



OPTIMAL METHOD OF INSTALLATION

OPERATION DESCRIPTION: The Flair Model 1900-98 LATCHGUARD is a unique concept in over head door protection. The ferrous door latch shunts the magnetic field between the Reed Switch and the Rare Earth Magnet causing the contact circuit to close. Only when the latch is secured will the alarm be able to arm. **Flair's special design will work with any size latch.** Retracting the latch restores the magnetic field between the switch and magnet causing the circuit to open resulting in an alarm. **INSTALLATION:** The 1900-98 is installed on the outside vertical channel of the roll up door. Align the Bracket over the latch opening, drill mounting holes and secure Latchguard as shown in drawing above. There are two sets of switch mounting holes in the bracket so that the switch may be reversed if necessary for a particular installation.

SPECIFICATIONS

ELECTRICAL

Circuit:	Closed
Voltage:	30 VDC Max.
Current:	20ma. Max.
Wattage:	3 Max.