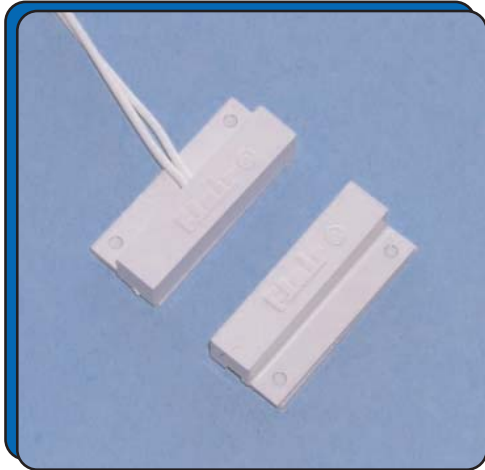


**1 1/4" LONG SURFACE MOUNT
MAGNETIC CONTACT
LMS13-2 SERIES**

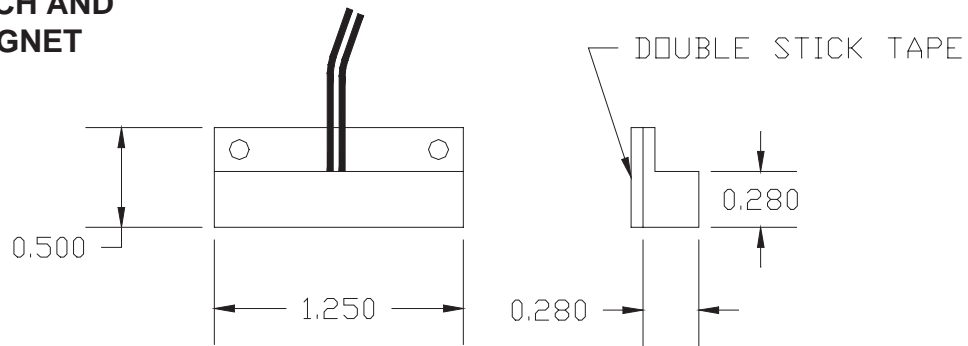


FEATURES:

- * 1 1/4" Long Surface Mount Magnetic Contact
- * 12" Center #22 AWG Leads
- * Rare Earth Magnet
- * Double Stick Tape or Screw Mount
- * Colors: White and Brown
- * Contacts and Magnets available separately
- * E.O.L. Resistors, Diodes and Supervisory Loops Available
- * Lifetime Warranty
- * Safety Approvals



**SWITCH AND
MAGNET**



Part Number	Loop Type	Electrical Configuration	Gap (Inch / mm)	Maximum Initial Contact Resistance (Ohm)	Maximum Contact Rating (W)	Maximum Switching Voltage (VDC/VAC)	Maximum Switching Current (A)
LMS13-2	Closed	N/O	3/4 (19.1)	.100	10	100	.500
LMS12-2	Open	N/C	3/4 (19.1)	.100	3	30	.200
LMS14-2	Open/Close	SPDT	3/4 (19.1)	.100	3	30	.200