

**RECESSED 3/8"
MAGNETIC CONTACT
RMS56TW**

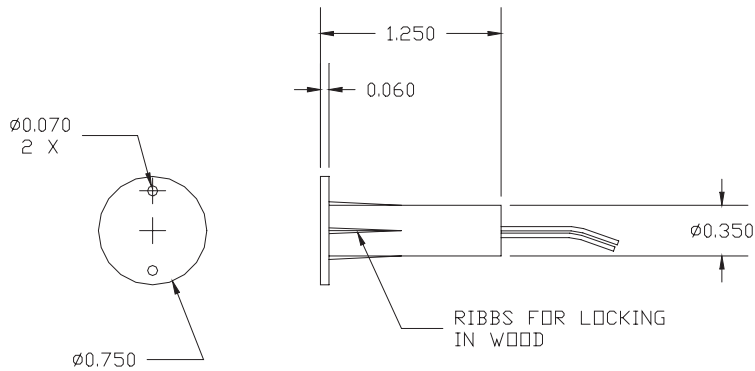


FEATURES:

- * 3/8" Recessed Magnetic Contact
- * 3/4" Flange to cover oversize holes
- * Supervisory Loop Included
- * 12" #22 AWG Wire Leads
- * Rare Earth Magnet
- * Contacts and Magnets Available Separately
- * Colors: White and Brown
- * Lifetime Warranty
- * Safety Approvals



SWITCH



Part Number	Loop Type	Electrical Configuration	Gap in Steel (Inches)	Maximum Initial Contact Resistance (Ohm)	Maximum Contact Rating (W)	Maximum Switching Voltage (VDC/VAC)	Maximum Switching Current (A)
RMS56TW	Closed	N/O	3/4	.100	10	100	.500

SUPERVISORY LOOP: The Supervisory Loop provides for a circuit independent of the main door alarm to detect cutting of the wires.

WIRING DIAGRAM

