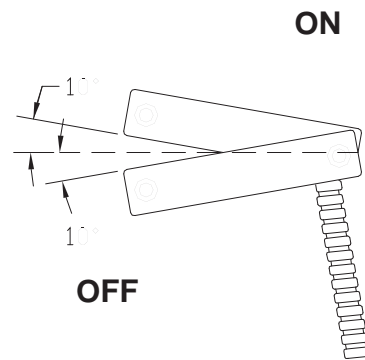
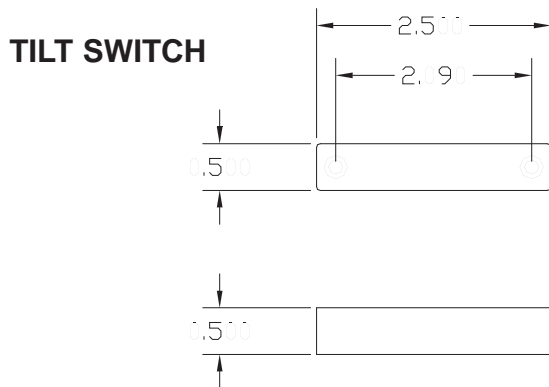


**2 1/2" LONG SURFACE MOUNT
TILT SWITCH
TSS5310-36**



FEATURES:

- * 2 1/2" Long Surface Mount Tilt Switch
- * 36" Armored Cable
- * Epoxy sealed for maximum resistance to harsh environment
- * Colors: White, Brown and Gray
- * Screw Mounting
- * E.O.L. Resistors and Supervisory Loops Available



The **Flair Tilt Switch, P/N TSS5310**, is a rugged security device for protecting many objects from being moved or tampered. With the switch horizontal, as shown above, tilting the switch up around the wires will close the circuit. Tilting the switch down will open the circuit. Switch may be mounted bottom or side with screws or tape.

APPLICATIONS: Monitors, Computers, Art, HVAC, Doors, Gates, Containers, Equipment

Part Number	Loop Type	Electrical Configuration	Operating Angle (Degrees)	Maximum Initial Contact Resistance (mOhm)	Maximum Switching Voltage	Maximum Switching Current (A)
TSS5310	Closed	N/C	10 +/- 3	100	30 VDC 240 VAC	0.15 0.05