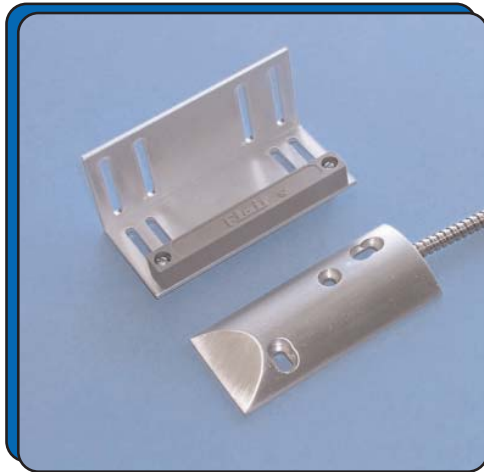


**OVERHEAD DOOR  
MAGNETIC CONTACT  
VIP1000-98L**

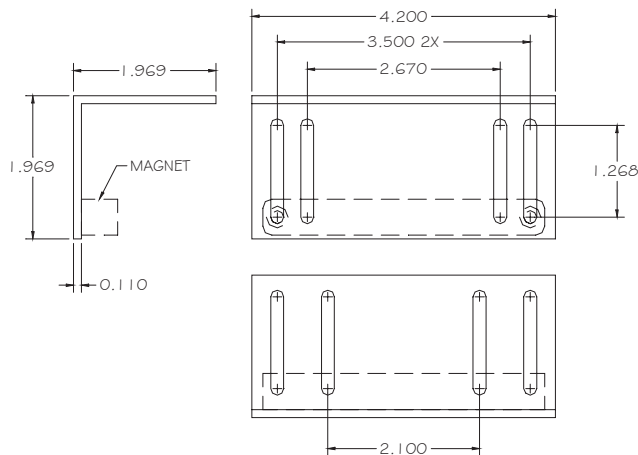


**FEATURES:**

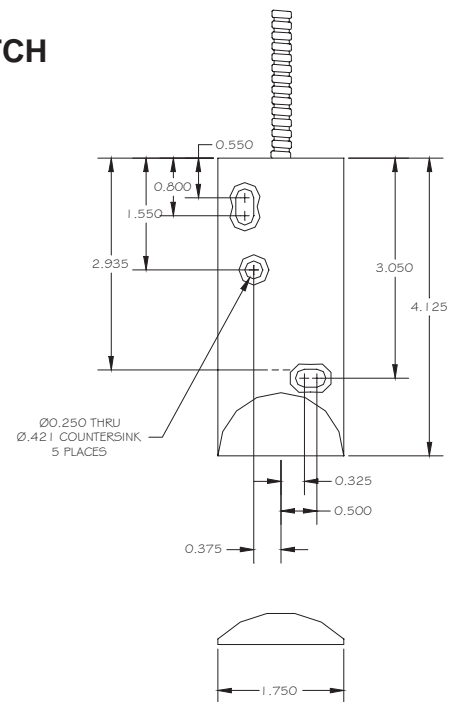
- \* 4" Long Over Head Door Magnetic Contact
- \* Solid Aluminum Extrusion
- \* Universal Footprint
- \* 18" Armored Cable with #22 AWG Wire Leads
- \* L-Bracket with Rare Earth Magnet
- \* Screw Mount
- \* Epoxy sealed for maximum resistance to harsh environments
- \* Lifetime Warranty
- \* Safety Approvals



**MAGNET AND  
BRACKET**



**SWITCH**



Part Number	Loop Type	Electrical Configuration	Gap (Inch / mm)	Maximum Initial Contact Resistance (Ohm)	Maximum Contact Rating (W)	Maximum Switching Voltage (VDC/VAC)	Maximum Switching Current (A)
VIP1000-98L	Closed	N/O	3 (76.2)	.100	10	100	.500