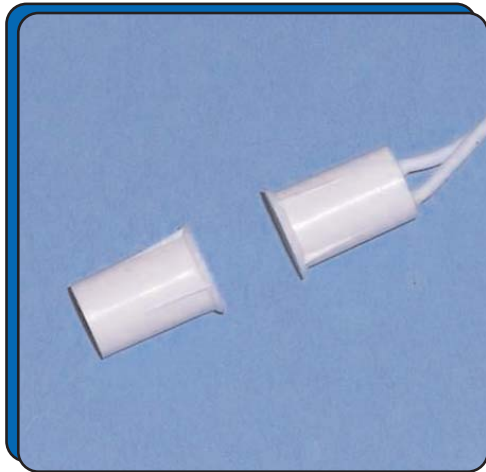


**RECESSED 3/8" DIA.
STUBBY MAGNETIC CONTACT
VIP94-2**

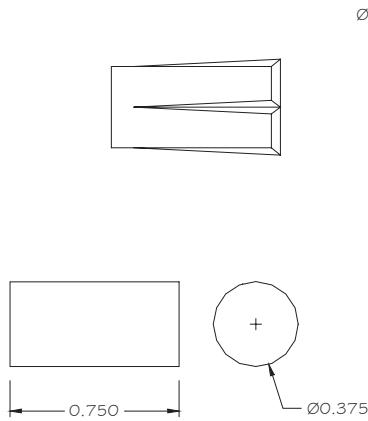


FEATURES:

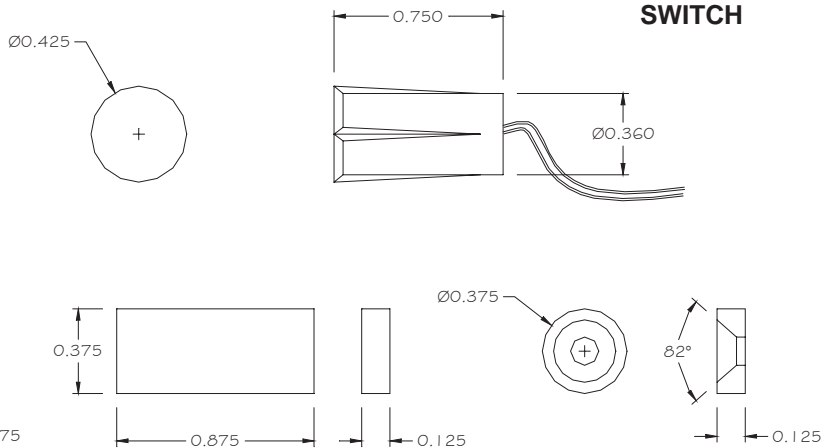
- * 3/8" Dia. Recessed Magnetic Contact
- * 18" #22 AWG Wire Leads
- * Rare Earth Magnet
- * Self Locking in wood
- * Contacts and Magnets Available Separately
- * Colors: White and Brown
- * Lifetime Warranty
- * Safety Approvals



MAGNET



SWITCH



ALTERNATE RARE EARTH MAGNETS

Part Number	Loop Type	Electrical Configuration	Gap	Maximum Initial Contact Resistance (Ohm)	Maximum Contact Rating (W)	Maximum Switching Voltage (VDC/VAC)	Maximum Switching Current (A)
VIP94-2	Closed	N/O	3/4"	.100	10	100	.500
VIP94W-2	Closed	N/O	1 1/4"	.100	10	100	.500