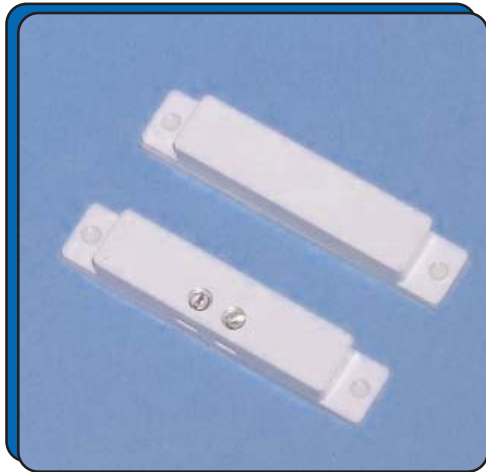


**SURFACE MOUNT 2"  
MAGNETIC CONTACT  
VIP100**

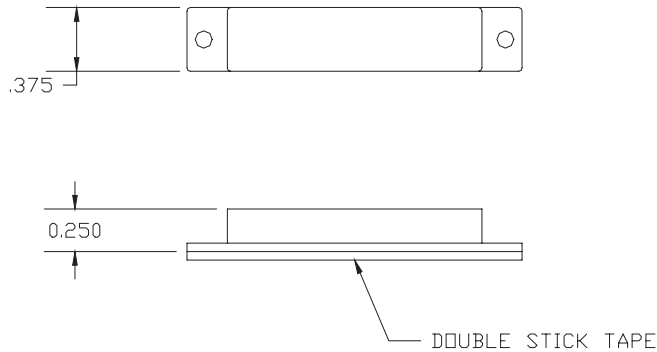


**FEATURES:**

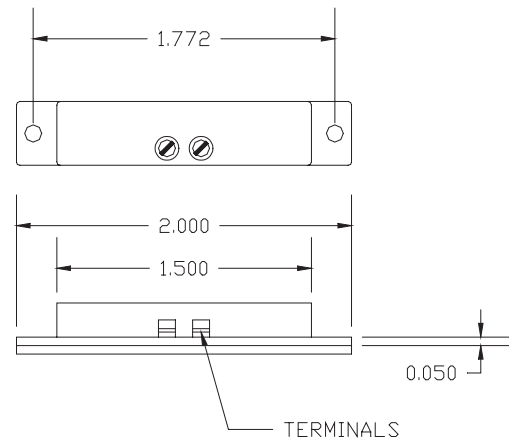
- \* 2" Long Surface Mount Magnetic Contact
- \* Mini Ultrasonic Welded Case, With Tabs
- \* Terminals
- \* Rare Earth Magnet
- \* Double Stick Tape or Screw Mount
- \* Contacts and Magnets Available Separately
- \* Colors: White and Brown
- \* Lifetime Warranty
- \* Safety Approvals



**MAGNET**



**SWITCH**



Part Number	Loop Type	Electrical Configuration	Gap	Maximum Initial Contact Resistance (Ohm)	Maximum Contact Rating (W)	Maximum Switching Voltage (VDC/VAC)	Maximum Switching Current (A)
VIP100	Closed	N/O	1"	.100	10	100	.500