

**OVERHEAD DOOR
MAGNETIC CONTACT
1000-98L SERIES**

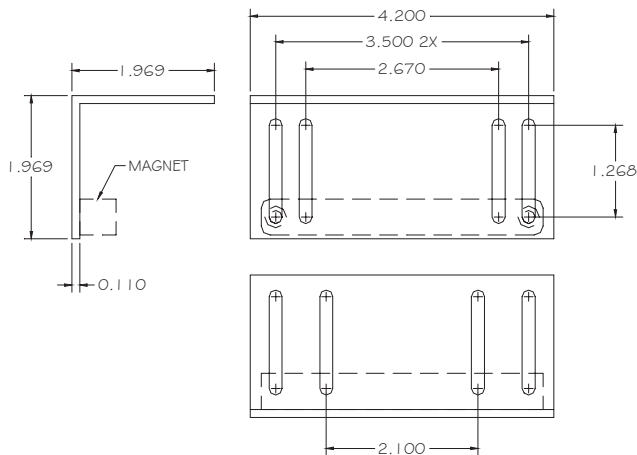


FEATURES:

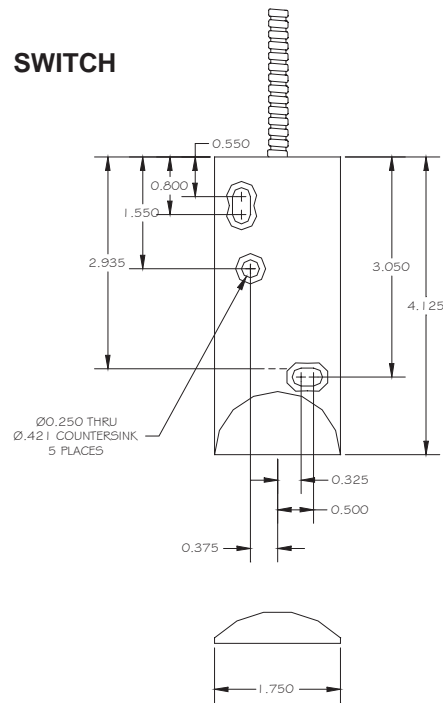
- * 4 1/4" Heavy Duty Aluminum Case
- * Universal Footprint
- * 18" Armored Cable with #22 AWG Wire Leads
- * L-Bracket Magnet
- * Epoxy Sealed for maximum resistance to harsh environments
- * E.O.L. Resistors, Diodes, Supervisory Loops and Private Labeling Available
- * Lifetime warranty
- * Safety Approvals



MAGNET



SWITCH



Part Number	Loop Type	Electrical Configuration	Gap	Maximum Initial Contact Resistance (Ohm)	Maximum Contact Rating (W)	Maximum Switching Voltage (VDC/VAC)	Maximum Switching Current (A)
1000-98L	Closed	N/O	3"	.100	10	100	.500
1000-96L	Open/Closed	SPDT	3"	.100	3	30	.200