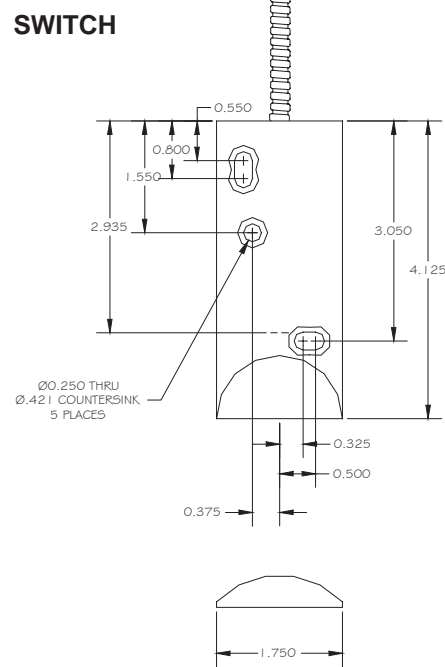
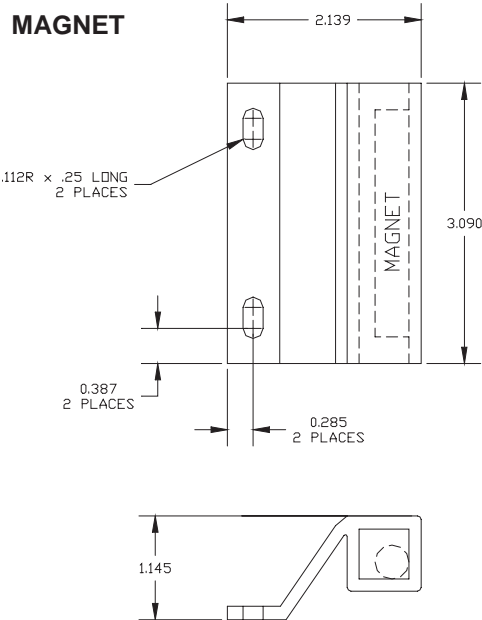


**OVERHEAD DOOR  
MAGNETIC CONTACT  
1000-98Z SERIES**



**FEATURES:**

- \* 4 1/4" Heavy Duty Aluminum Case
- \* Universal Footprint
- \* 18" Armored Cable with #22 AWG Wire Leads
- \* Z-Bracket Magnet
- \* Epoxy Sealed for maximum resistance to harsh environments
- \* E.O.L. Resistors, Diodes, Supervisory Loops and Private Labeling Available
- \* Lifetime warranty
- \* Safety Approvals



| Part Number | Loop Type   | Electrical Configuration | Gap | Maximum Initial Contact Resistance (Ohm) | Maximum Contact Rating (W) | Maximum Switching Voltage (VDC/VAC) | Maximum Switching Current (A) |
|-------------|-------------|--------------------------|-----|--|----------------------------|-------------------------------------|-------------------------------|
| 1000-98Z    | Closed      | N/O                      | 3"  | .100                                     | 10                         | 100                                 | .500                          |
| 1000-96Z    | Open/Closed | SPDT                     | 3"  | .100                                     | 3                          | 30                                  | .200                          |