

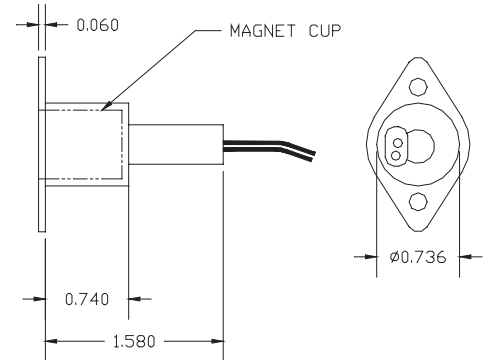
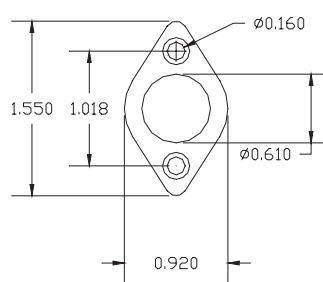
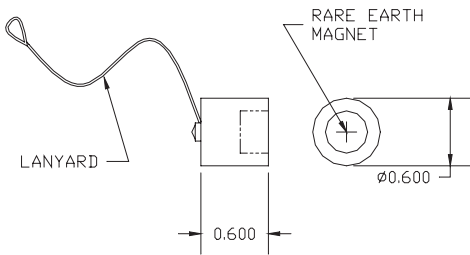
**RECESSED PULL-APART SWITCH  
PROTECT VALUABLE ARTWORK  
ARTGARD 100**



- FEATURES:**
- 3/4" Diameter Recessed
  - Flush Mount on Wall, Ceiling or Table in any Position (Even Upside Down)
  - Stainless Steel Flexible Lanyard
    - Rare Earth Magnet
  - 18" #22 AWG Wire Leads
  - Colors: White and Brown
  - Lifetime Warranty

**MAGNET HOLDER**

**SWITCH**



Patent Pending

Part Number	Loop Type	Electrical Configuration	Gap	Maximum Initial Contact Resistance (Ohm)	Maximum Contact Rating (W)	Maximum Switching Voltage (VDC/VAC)	Maximum Switching Current (A)
ARTGARD 100	Closed	N/O	1/2"	.150	10	100	.500
ARTGARD 101	Open	N/C	1/2"	.100	3	30	.200
ARTGARD 102	Open/Closed	SPDT	1/2"	.100	3	30	.200

**LANYARD SIZE:** Add -12 after part number for 12" Lanyard, -8 for 8" and -6 for 6". Custom sizes available.



**INSTALLATION:** (1) Drill 3/4" Hole in wall just below painting hanging hook or in stand underneath object of art. (2) Install Switch and connect to Alarm Panel. (3) Loop Lanyard around painting hanging wire or frame by putting Magnet Holder through large loop of the Lanyard. Lanyard may also be attached to object of art with screws or other method. Lanyard may be bent to keep it in place. (5) Place painting back on hook or object of art on top of stand placing the Magnet Holder in the cup of the Switch at the same time. Removing art will set off the alarm.