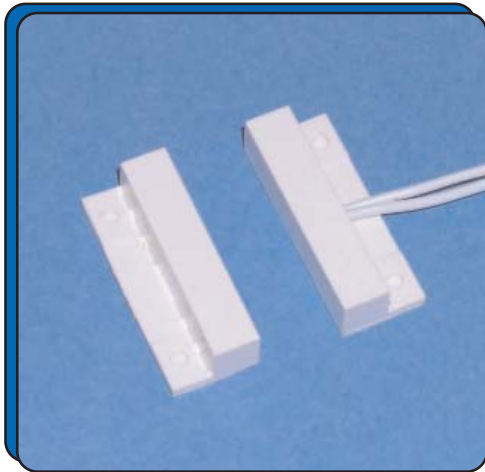
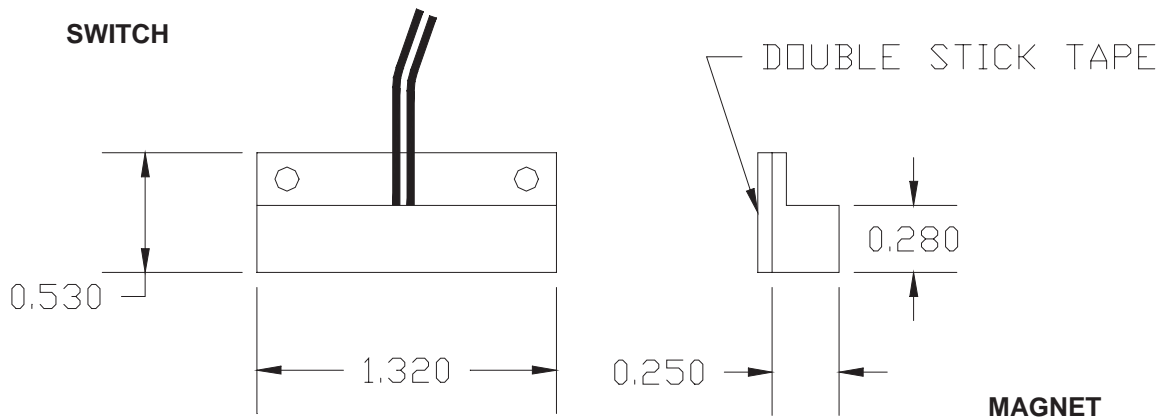


**SURFACE MOUNT 1.32”  
MINI MAGNETIC CONTACT  
VIP130-2**



**FEATURES:**

- \* 1.32” Long Surface Mount Magnetic Contact
- \* 18” #22 AWG Wire Leads
- \* Rare Earth Magnet
- \* Double Stick Tape or Screw Mount
- \* Contacts and Magnets Available Separately
- \* Colors: White and Brown
- \* Lifetime Warranty
- \* Safety Approvals



Part Number	Loop Type	Electrical Configuration	Gap	Maximum Initial Contact Resistance (Ohm)	Maximum Contact Rating (W)	Maximum Switching Voltage (VDC/VAC)	Maximum Switching Current (A)
VIP130-2	Closed	N/O	1”	.100	10	100	.500